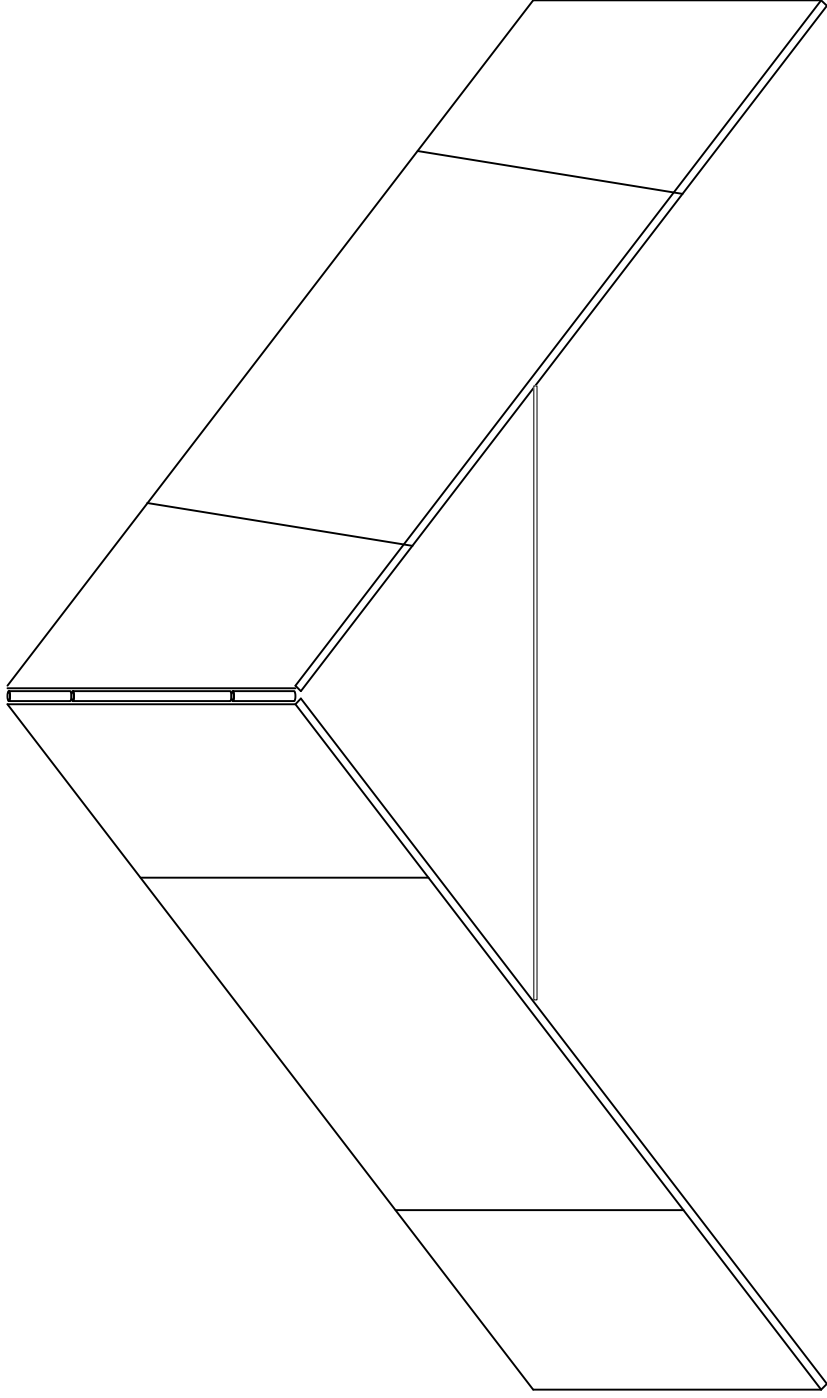
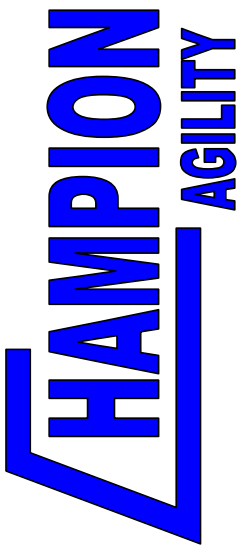
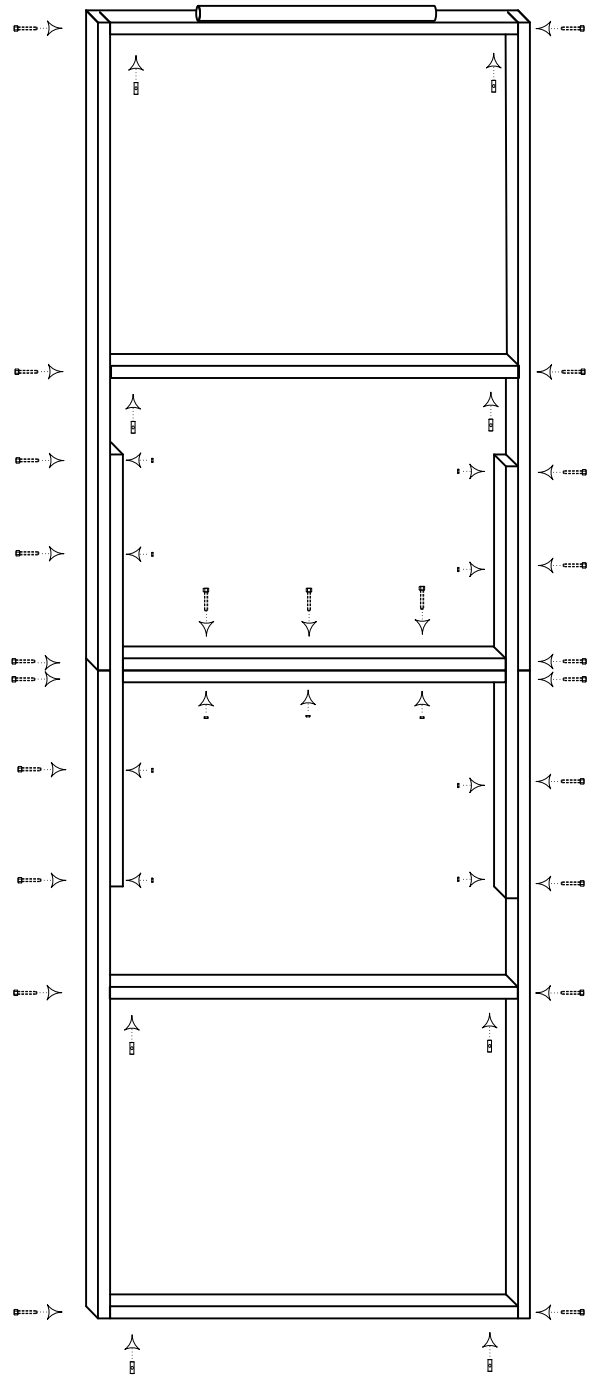
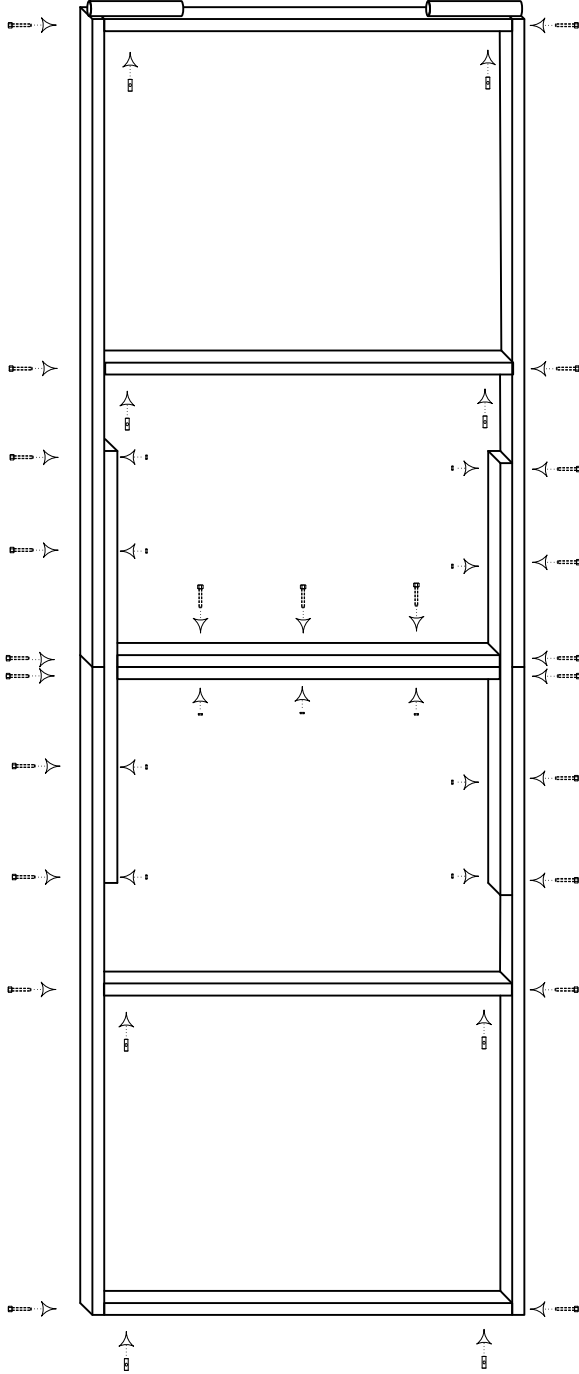


ALUMINUM A-FRAME ASSEMBLY INSTRUCTIONS





A-FRAME ASSEMBLY OVERVIEW





ALUMINUM A-FRAME

PARTS LIST

<u>Part</u>	<u>Description</u>	<u>Qty</u>
AF-0001	A-Frame Plank Support	8
AF-0002	A-Frame Plank Cross Brace	6
AF-0003	A-Frame Plank Connector	4
AF-0004	A-Frame Support Brace	4
AF-0005	A-Frame Hinge Top 1	1
AF-0006	A-Frame Hinge Top 2	1
AF-0007	A-Frame Hinge Pin	1
AF-0008	A-Frame Bracer	8
AP-0001	A-Frame Plywood Top/Bottom	4
AP-0002	A-Frame Plywood Middle	2
AP-0003	Slats	16
HB-1000-2520	1.0" Hex Bolt	8
HB-2000-2520	2.0" Hex Bolt	16
HB-2500-2520	2.5" Hex Bolt	62
HB-3000-2520	3.0" Hex Bolt	16
CD-1250-2520	1-1/4" Cross Dowel	16
CD-3000-2520	3.0" Double Cross Dowel	4
HN-2520	1/4" Hex Nut	74
CP-1250	Cotter Pin	1
EH-3000-2520	Eye Hooks	4
TS-1000	Self Tapping Screws	72
BW-1250	1/4" Lock Washers	150
SO-1250	Standoffs	32
AC-0001	A-Frame Chain Assembly	2

- 1 Check the contained parts with the list
- 2 If parts are missing, logon to: www.championagility.com and replacement parts will be shipped out to you.
- 3 You will require the following tools to assemble the Aluminum Teeter:
 - o Drill with a #2 Star Bit
 - o Two 7/16" Open Ended Wrenches or a couple of Crescent Wrenches
 - o Paint
 - o Sand
 - o Paint Brushes

Note: It is sometimes useful to have a 1/4" Metal Drill Bit handy incase one of the holes do not match up properly. Just drill out the hole a little bit and continue assembly.

A-FRAME PART DIAGRAM

AF-0001 - 54"



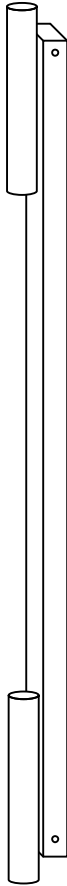
AF-0002 - 34"



AF-0003 - 32"



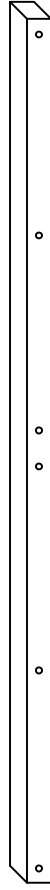
AF-0005 - 34"



AF-0006 - 34"



AF-0004 - 36"



AF-0007



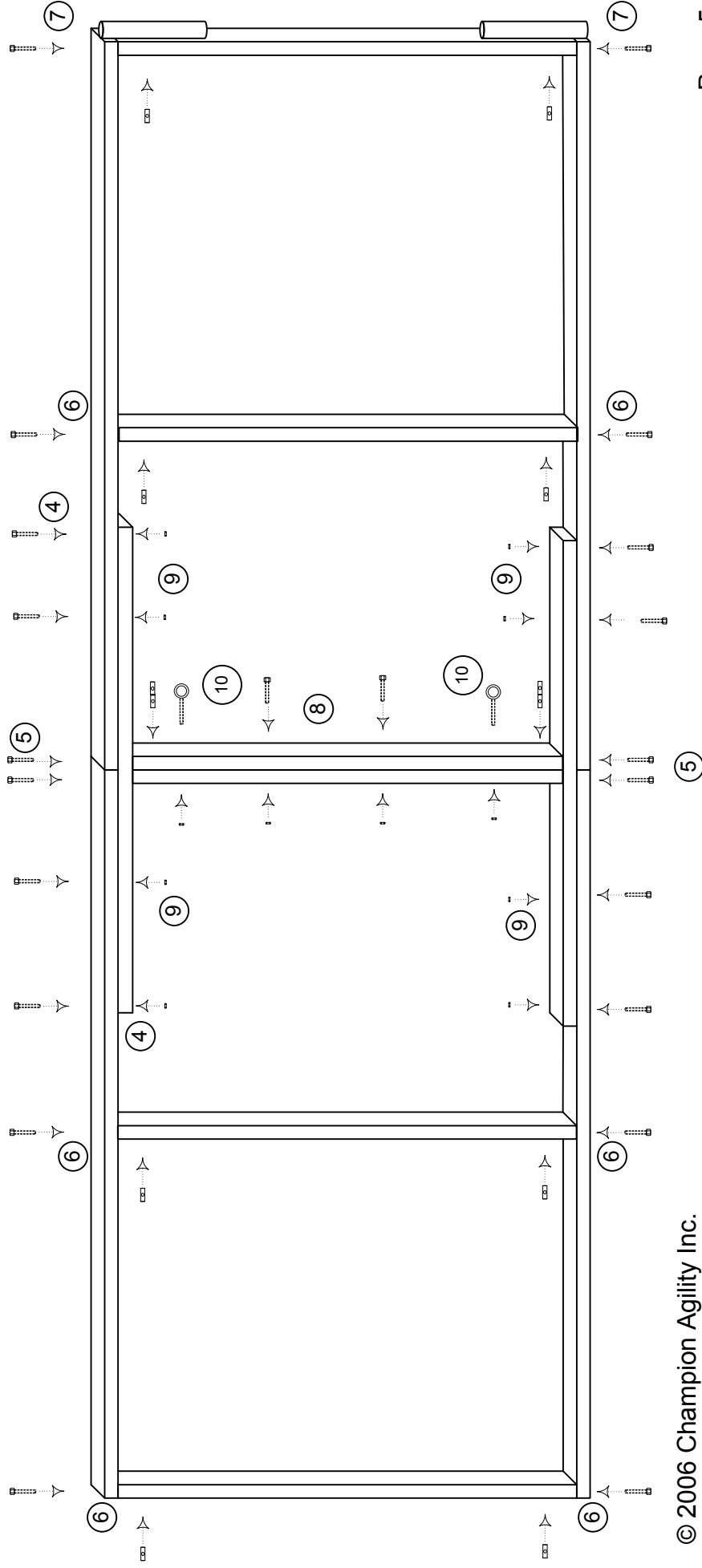
AF-0008 - 48"



A-FRAME PLANK ASSEMBLY

4 Attach two A-Frame Plank Supports to one of the A-Frame Support Braces using two 2.5" Hex Bolts, two Lock Washers and two Hex Nuts. Repeat for the other side.

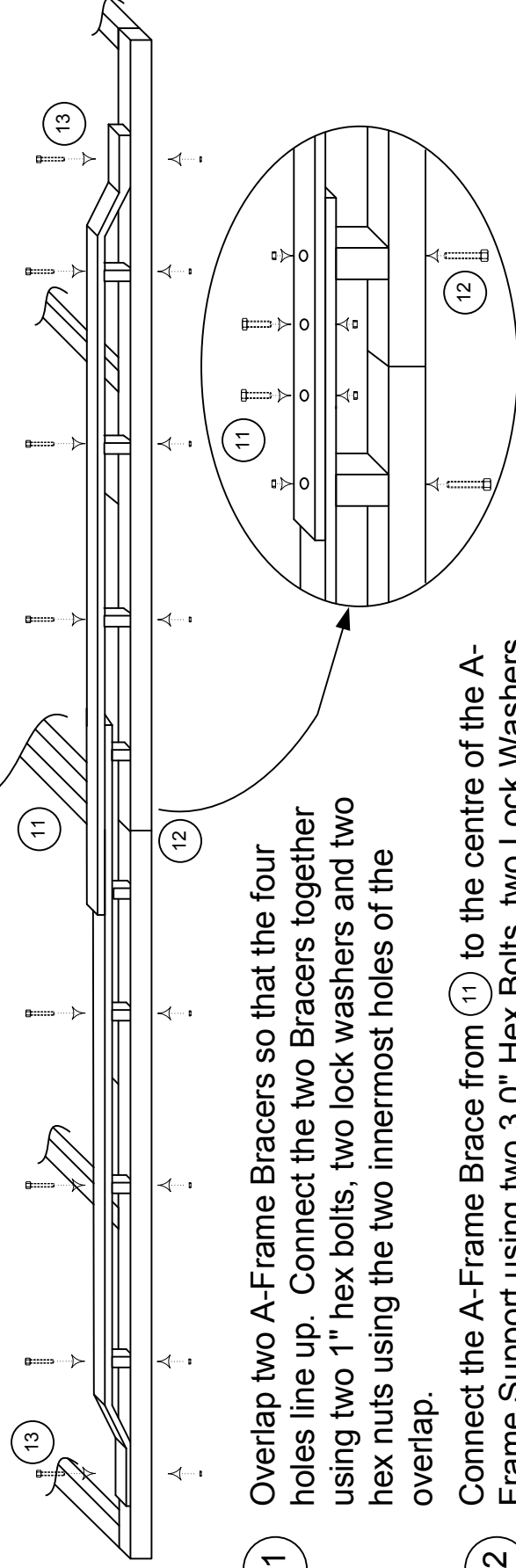
- 5 Attach two A-Frame Plank Connectors to the Plank Supports from 4 using four 3.0" Hex Bolts, four Lock Washers and two Double Cross Dowels.
- 6 Attach three A-Frame Plank Cross Braces to the Plank Supports from 5 using six 1.5" Hex Bolts, six Lock Washers and six Cross Dowels.
- 7 Attach the A-Frame Hinge Top 1 using two 1.5" Hex Bolts, two Lock Washers and two Cross Dowels.



- 8 Using three 2.5" Hex Bolts, three Lock Washers and three Hex Nuts, bolt together the two A-Frame Plank Connectors.

- 9 Using four 2.5" Hex Bolts, four Hex Nuts and four Lock Washers, bolt the A-Frame Support Braces to the A-Frame Supports.

- 10 Insert the four Eye Hooks into the A-Frame Plank Connectors using four Lock Washers and for Hex Nuts. Make sure the "eye" of each hook points to the top of the A-Frame.



- 11 Overlap two A-Frame Bracers so that the four holes line up. Connect the two Bracers together using two 1" hex bolts, two lock washers and two hex nuts using the two innermost holes of the overlap.

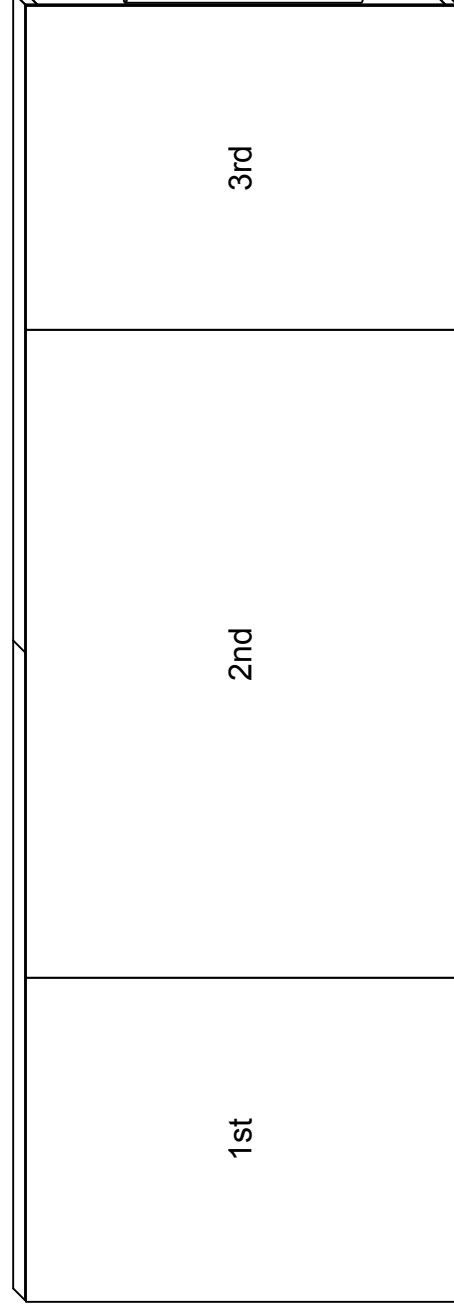
- 12 Connect the A-Frame Brace from (11) to the centre of the A-Frame Support using two 3.0" Hex Bolts, two Lock Washers, two Standoffs and two Hex Nuts.

- 13 Connect the ends of the A-Frame Bracer to the A-Frame Support using two 1.5" Bolts, two Lock Washers and two Hex Nuts.

- 14 Connect the rest of the the A-Frame Brace to the A-Frame Support using six 2.5" Bolts, six Lock Washers, six Brace Standoffs and six Hex Nuts.

- 15 Repeat (11) through (14) for the other side.

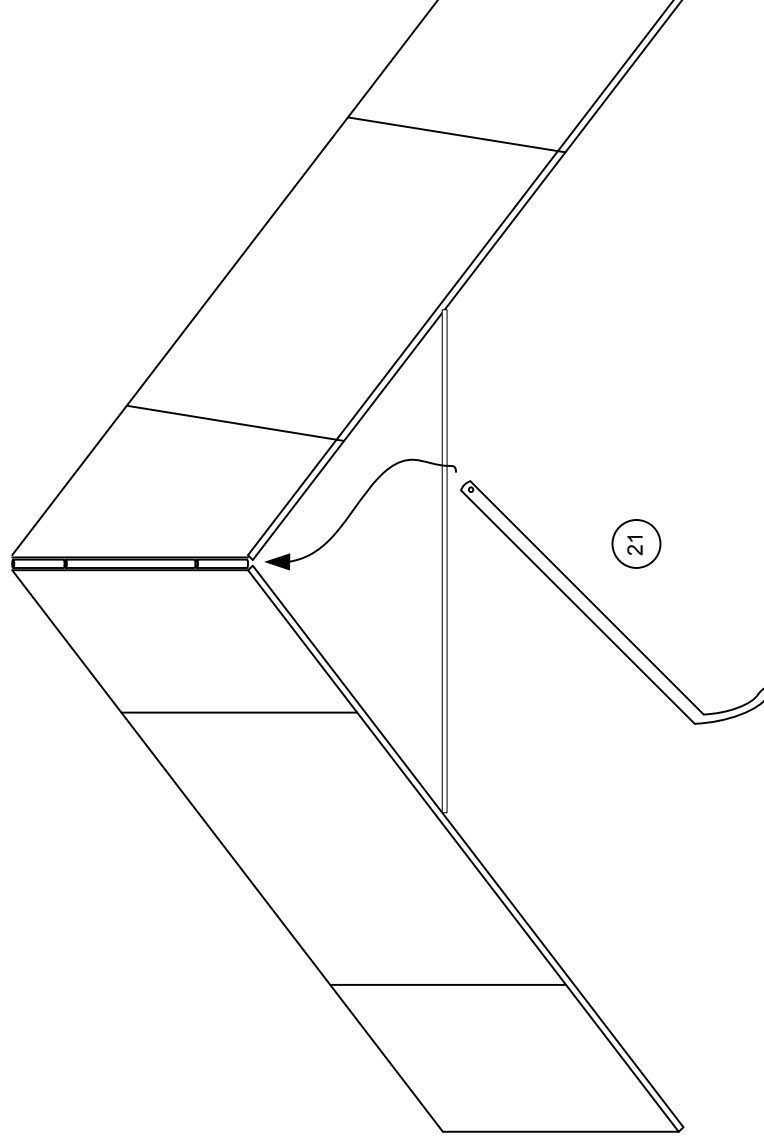
- 16 Repeat steps 4 through 15 to complete the other side of the A-Frame.
- 17 Using the 1" self tapping screws, attach the A-Frame Plywood to the A-Frame Support. Start with one of the A-Frame Plywood Top/Bottom Pieces at the bottom and work your way up the A-Frame. Repeat for the other side.
- 18 Attach the slats according to your agility association's constructions standards.
- 19 Mix Sand with the two colors you have chosen for your A-Frame (yellow for the contact and the other color you have chosen). Apply the yellow sanded paint to the contact zones (usually 36" to 42" from the end) and the other color to the top zone. Apply a liberal amount of sanded paint to the areas where the self tapping screws attach the plywood to the support and to the centers where two pieces of plywood join.



A-FRAME ASSEMBLY

20 Attach the Chain Assembly to the Eye Hooks in the A-Frame. Use the Chain Assembly to adjust the height of the A-Frame. The chains at their max distance will set the height of the A-Frame at approximately 5'. Use the carabineer to set the height at 5'6". The chain assembly may require some adjusting to get the A-Frame at your chosen heights.

21 Insert the A-Frame Hinge Pin into the top of the A-Frame to join the two halves together.





Warranty

1. For one year from the date of the original retail purchase. CHAMPION AGILITY warrants to the original purchaser of any CHAMPION AGILITY product that, should it prove defective by reason of improper workmanship and/or material, CHAMPION AGILITY will repair or replace, at its option, any defective part of the product, without charge for the part or the shipping. Replacement parts are warranted for the remainder of the original warranty period.

NOTE: If you discover that any pieces to your CHAMPION AGILITY product are missing when you unpack it, please visit www.championagility.com and the missing piece(s) will be sent to you at no charge.

2. THIS WARRANTY DOES NOT COVER defects in the equipment caused by the original purchaser or any third party, or any defects arising or discovered more than one year from the original retail purchase date.

3. STEPS TO OBTAIN WARRANTY SERVICE:

A. The purchaser must e-mail CHAMPION AGILITY at sales@championagility.com, to report the alleged defect to a customer service representative.

B. The customer service representative will determine if the defect is covered by this warranty and if it is, will authorize and instruct the purchaser in how to obtain corrective action.

C. CHAMPION AGILITY may require the purchaser to present the sales receipt or other proof of purchase prior to authorizing any return or replacement. No returns or replacements will be permitted without proper authorization. If a return or replacement is authorized, you may be requested to return the item to CHAMPION AGILITY or to make the item available for pick-up by CHAMPION AGILITY.

4. ANY EXPRESS WARRANTY NOT PROVIDED IN THIS WARRANTY DOCUMENT AND ANY REMEDY FOR BREACH OF CONTRACT THAT, BUT FOR THIS PROVISION, MIGHT ARISE BY IMPLICATION OR OPERATION OF LAW, IS HEREBY EXCLUDED AND DISCLAIMED. THE IMPLIED WARRANTIES OF MERCHANT ABILITY AND OF FITNESS FOR ANY PARTICULAR PURPOSE ARE EXPRESSLY LIMITED TO TERM OF ONE YEAR.

5. UNDER NO CIRCUMSTANCES SHALL CHAMPION AGILITY BE LIABLE TO PURCHASER OR ANY OTHER PERSON OR ANY SPECIAL, INCIDENTAL OR CONSEQUENTIAL DAMAGES, WHETHER ARISING OUT OF BREACH OF WARRANTY, BREACH OF CONTRACT OR OTHERWISE.