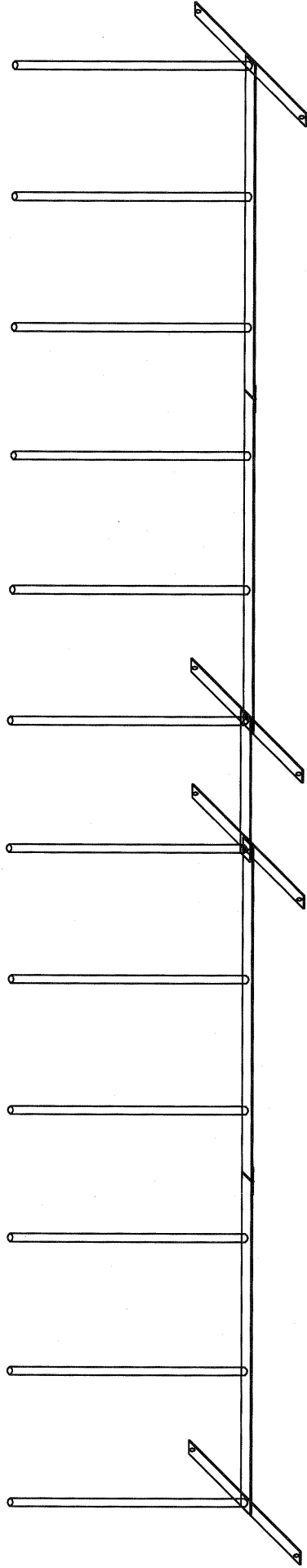
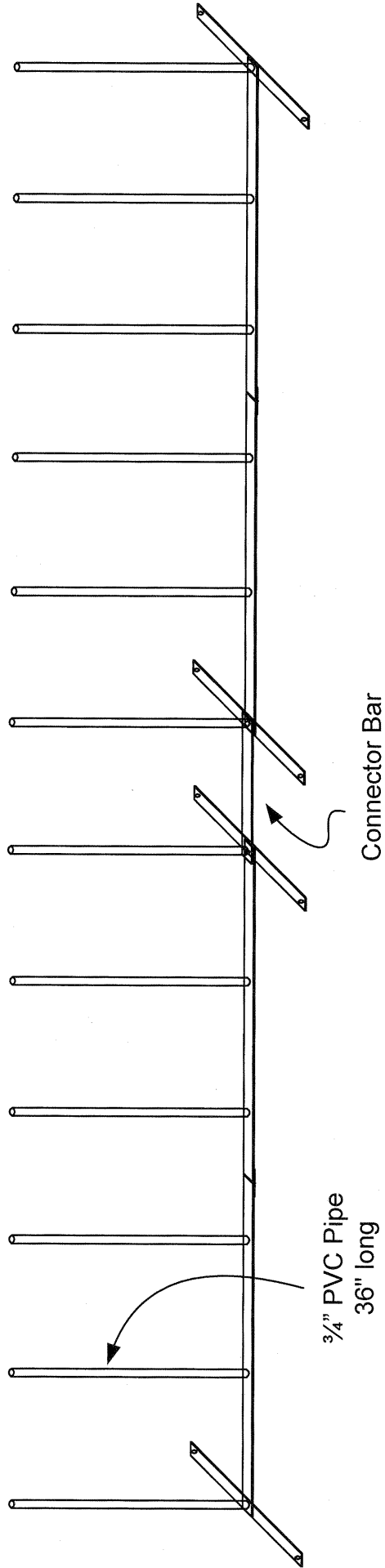


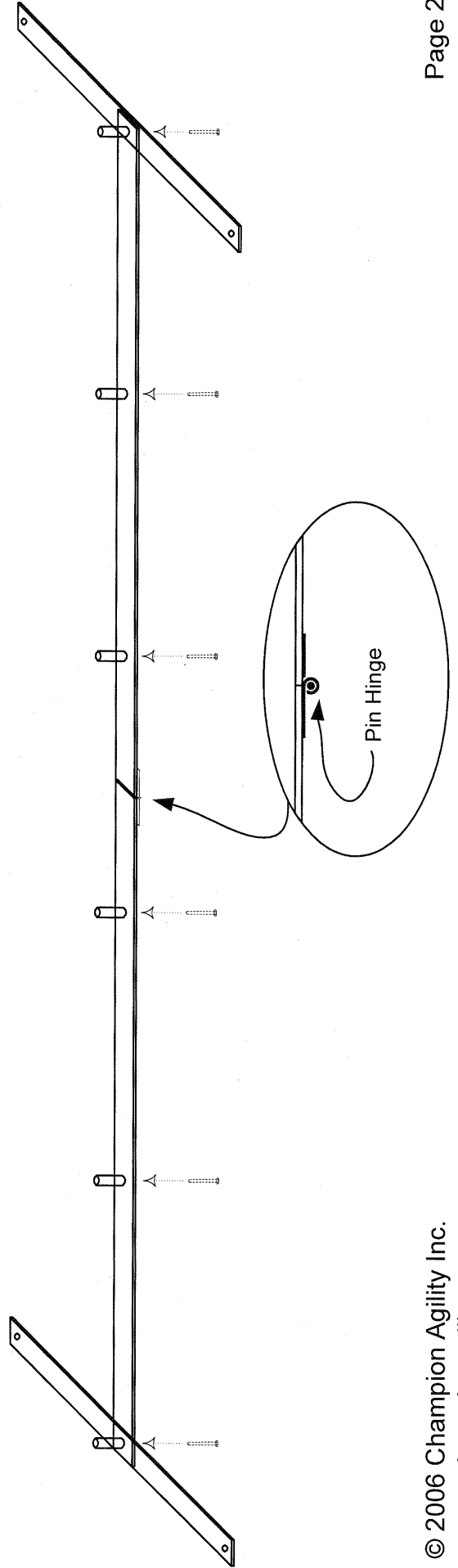


ALUMINUM WEAVE POLE
ASSEMBLY INSTRUCTIONS





6 Pole Assembly





ALUMINUM WEAVE POLES PARTS LIST

- 1 Check the contained parts with the list
- 2 If parts are missing, logon to:
www.championagility.com and
replacement parts will be shipped
out to you.
- 3 You will require the following tools
to assemble the Aluminum Weave
Poles:
 - o A 7/16" Open Ended Wrench or
a Crescent Wrench

<u>Part</u>	<u>Description</u>	<u>Qty</u>
WP-0001	6 Pole Weave Base	2
WP-0002	Weave Base Cross Brace	4
WP-0003	Pole Pin	12
WP-0004	Weave Connector Bar	1
HB-1000-2520	1.0" Hex Bolt	12
LW-1250	1/4" Lock Washers	12
PP-7536	3/4" PVC Pipe 36" Long	12
PC-7500	3/4" PVC Cap	12

AGILITY WEAVE POLE ASSEMBLY

- 4 Attach a Weave Pole Cross Brace to one end of the Weave Pole Base using a 1" Hex Bolt, a Lock Nut and a Pole Pin. Repeat on the other end.
- 5 Attach the remaining Pole Pins to the Weave Base using a 1" Hex Bolt and a Lock Nut.
- 6 Push the PVC Poles onto the Pole Pins. Put a 3/4" PVC Cap on the end of each PVC Pole.
- 7 Repeat for the other 6 Weave Poles. Use the Connector Bar to join the two 6 Pole sets.

